

The ideal interface controller and data log for subsea and surface USV survey platforms.

VARIOUS CONFIGURATIONS AVAILABLE TO SUIT YOUR APPLICATION:

WITH/WITHOUT GPS
AND/OR PC



AUV



ROV



USV



Large Vessel



DIMENSIONS

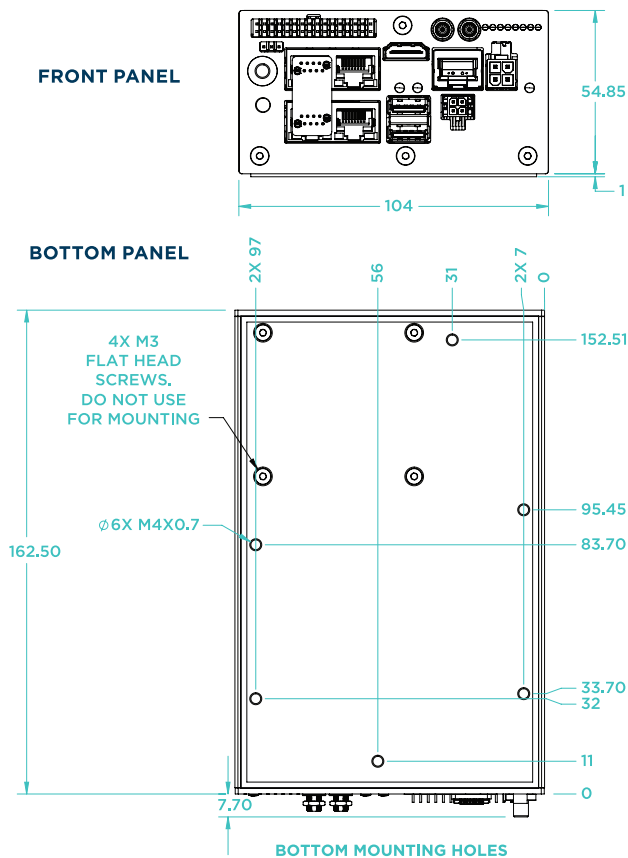
W: 104mm
H: 54,85mm
L: 162,5mm

FEATURES & BENEFITS

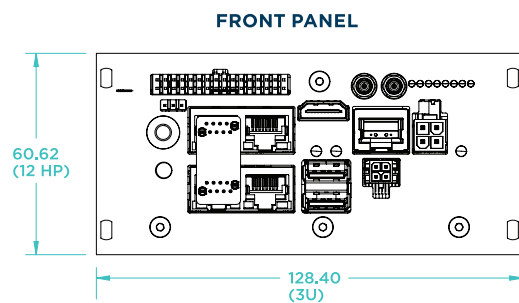
- Option to log data without the need for a main computer
- Embedded PC runs Vox Control or Sonic Control software with additional flash storage if required
- Power input 9-60VDC allows users to easily accommodate lower input power (24V) AUV and USVs
- Can be controlled by the users' own autonomous system if preferred
- Same high-performance standard of the original VOX-IM
- Smallest form factor available – just 2,4lbs
- Flexible mounting options:
Mount with M4 threaded holes in base (housing included)
Slide into 3U Eurocard rack (unhoused with dedicated front panel for rack mounting)

MOUNTING OPTIONS

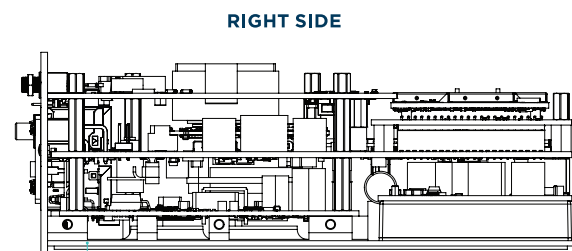
VOX-IM OEM Standalone Option (with Housing)



VOX-IM OEM Eurocard Rack Mount Option

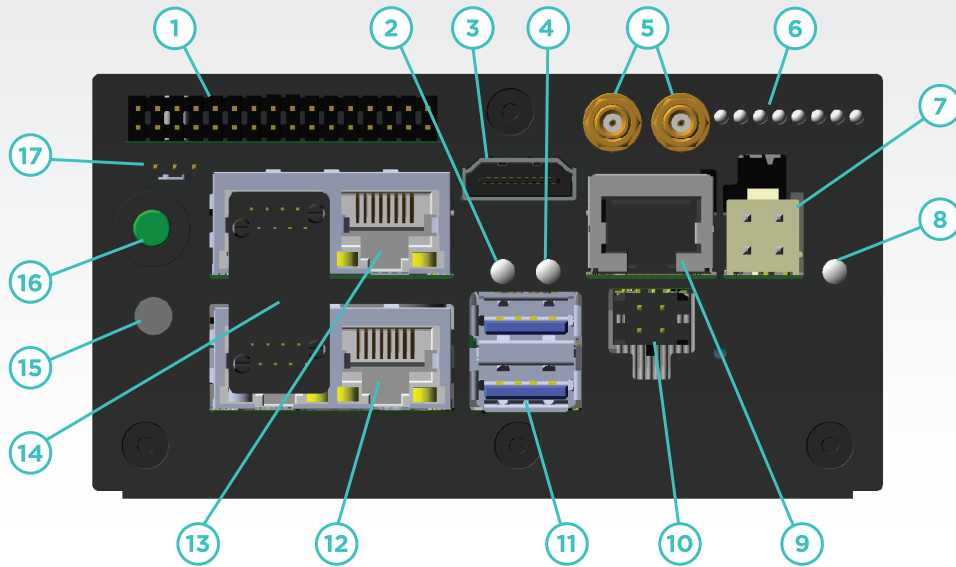


VOX-IM OEM is designed with Eurocard standard height and width.
H: 3U (100 mm x 160 mm PCB, 128.40 front panel length)
W: 12HP (60.62 mm front panel width; i.e. unit height)



Housing removed for Eurocard rack mount option

FRONT VIEW



- | | |
|---|--|
| <ol style="list-style-type: none"> 1. External Sensor Pin Header (2 x 16, 0.100" Pitch) 2. RTK / RTCM Status LED 3. HDMI Connector 4. Sonar Power Status LED 5. GNSS Receiver Antenna Cable Connectors (WR-MCX)
Left: Primary Antenna
Right: Secondary Antenna 6. External Sensor Status LEDs 7. VOX-IM Power Input (9-60 VDC) 8. VOX-IM Power LED 9. Sonar Ethernet Connector (RJ45 Jack) | <ol style="list-style-type: none"> 10. Sonar Power Connector 11. 2x USB 3.0 Connectors for Internal PC connectivity 12. VOX-IM Ethernet (RJ45 Jack) 13. PC Ethernet (RJ45 Jack) 14. VOX-IM and PC Ethernet Jumper (PCBA)
To make use of internal PC, VOX-IM Ethernet and PC Ethernet must be connected. This jumper board can be replaced with a regular Ethernet cable if desired 15. PC Power Button 16. VOX-IM Power Button 17. Sound Velocity Sensor Supply Voltage Selection Pins |
|---|--|

SOFTWARE CONNECTIVITY

VOX-IM OEM WITH EMBEDDED PC HAS TWO STORAGE DRIVES:

- | | |
|---|---|
| <ol style="list-style-type: none"> 1. eMMC 64 GB (C:) <ol style="list-style-type: none"> a. Contains Windows 10 operating system and R2Sonic / R3Vox applications b. Features shared folder accessible to LAN-connected computers:
\\Vox-IM-OEM\Shared c. Limited additional space for user applications | <ol style="list-style-type: none"> 2. Large Data SSD (D:) (Up to 4TB) <ol style="list-style-type: none"> a. Intended for survey data storage b. Features shared folder accessible to LAN-connected computers:
\\Vox-IM-OEM\Data.
It is recommended that survey data gets saved to this shared folder. |
|---|---|

Shared folders allow users to remotely access stored data as if from an external drive. VOX-IM OEM can remain in its installed position while survey data is pulled without needing to connect external devices like mouse, keyboard and monitor to the unit. After connecting another computer to PORT 13 via standard Ethernet cable, it is possible to access the shared directories through Windows Explorer using the addresses listed above. It may be necessary to enter account login credentials when accessing these shared directories